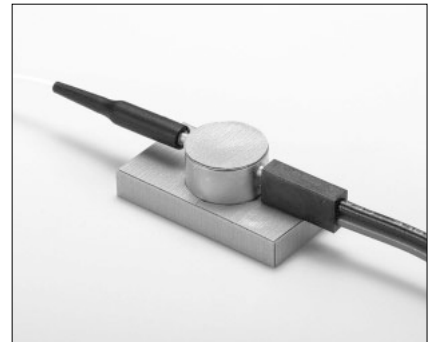
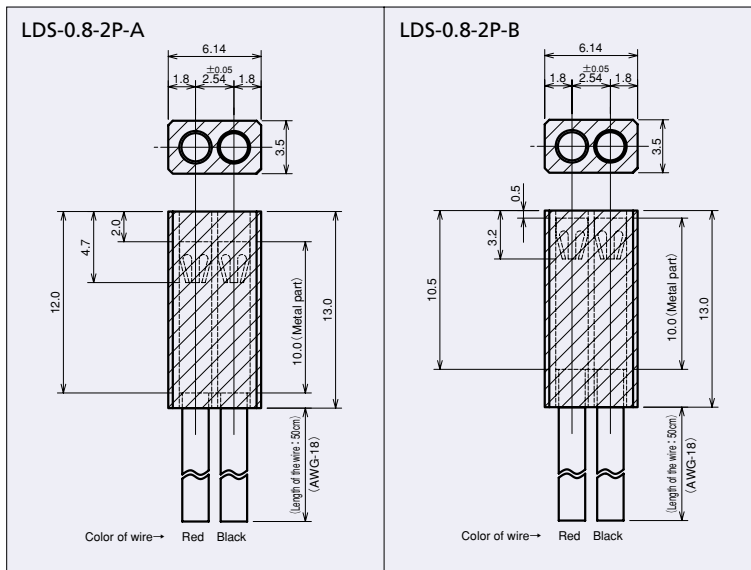


# LDS Series / LDS-0.8-2P-A/B (1pcs/pack)

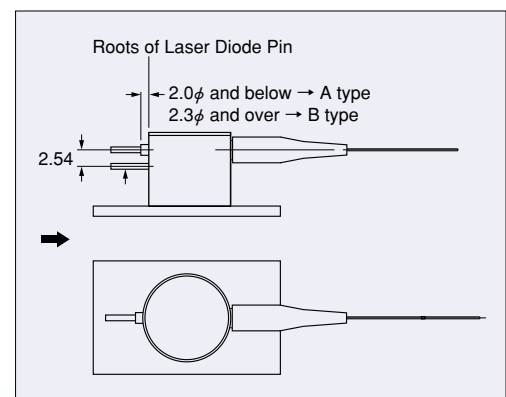
- Connector for Laser Diode
- With 50cm Electric cable (red and black)
- Material
  - Housing ..... PPS resin Black (UL94V-0)
  - Socket..... Body .....Brass
  - Contact...BeCu
- Finish.....Plated Au over Ni base
- Current Capacity.....14A
- Voltage Rating.....20V AC, DC
- Insulation Resistance.....500M  $\Omega$  and over
- Withstand Voltage.....500V AC, DC 1min
- Contact Resistance.....10m  $\Omega$  and below (per pin)
- Capacity of Removal and Insertion.....100 times and over
- Cable Size.....AWG-18
- Operating Temperature.....-40~+100°C
- Adaptive Male Pin Diameter.....0.6~0.8  $\phi$



## ■ Dimentions



## ■ Adaptive Laser Diode



## ■ How to Order

If root of your Laser Diode pins is 2.0  $\phi$  and below, please order LDS-0.8-2P-A

If root of your Laser Diode pins is 2.3  $\phi$  and more, please order LDS-0.8-2P-B

# MAC8

No.1 distributor of MAC8

**SHINDENKIZAI Co., LTD.**

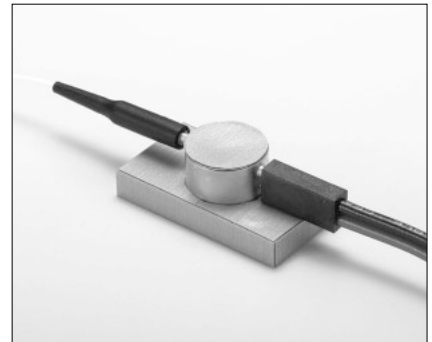
Contact

e-mail: sdk@mac8sdk.co.jp FAX: +81-3-3253-5965

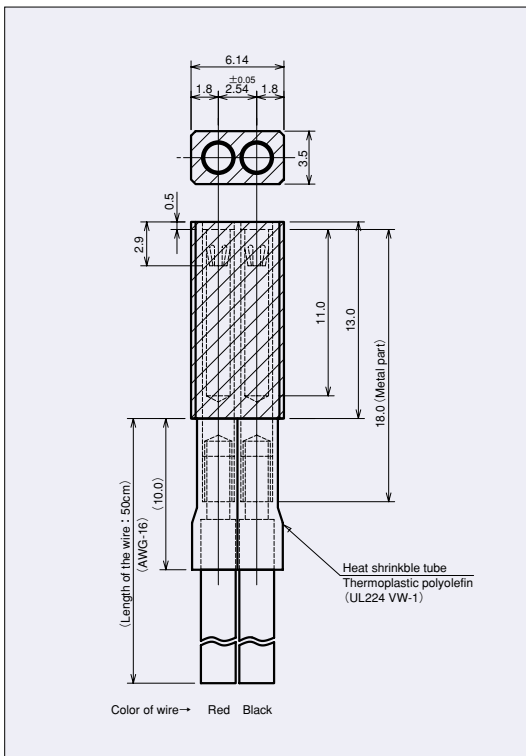
[http://www.mac8sdk.co.jp/index\\_e.html](http://www.mac8sdk.co.jp/index_e.html)

# LDS Series / LDS-1.0-2P (1pcs/pack)

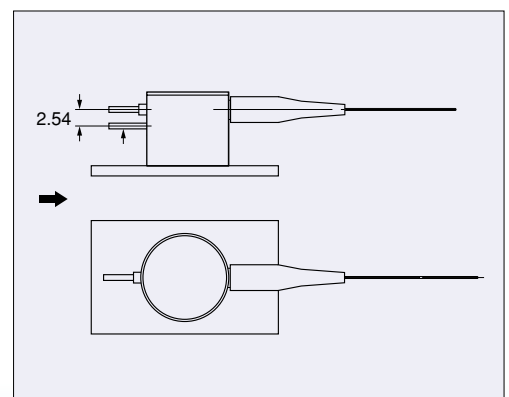
- Connector for Laser Diode
- With 50cm Electric cable (red and black)
- Material
  - Housing ..... PPS resin Black (UL94V-0)
  - Socket..... Body .....Brass
  - Contact...BeCu
- Finish.....Plated Au over Ni base
- Current Capacity.....20A
- Voltage Rating.....20V AC, DC
- Insulation Resistance.....500M  $\Omega$  and over
- Withstand Voltage.....500V AC, DC 1min
- Contact Resistance.....10m  $\Omega$  and below (per pin)
- Capacity of Removal and Insertion..... 100 times and over
- Cable Size.....AWG-16
- Operating Temperature.....-40~+100°C
- Adaptive Male Pin Diameter.....0.8~1.1  $\phi$



## ■ Dimentions



## ■ Adaptive Laser Diode



# MAC8

No.1 distributor of MAC8

**SHINDENKIZAI Co., LTD.**

Contact

e-mail: sdk@mac8sdk.co.jp FAX: +81-3-3253-5965

[http://www.mac8sdk.co.jp/index\\_e.html](http://www.mac8sdk.co.jp/index_e.html)