

SSB Series / Tapped Spacer for Surface Mount Board

Can be mounted by auto-insertion system

Can be attached by reflow

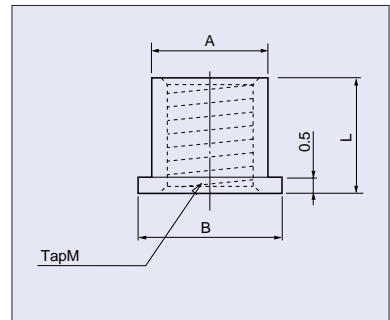
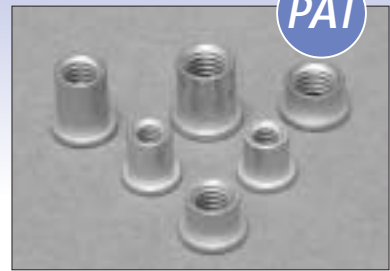
Taping type has adsorption cap for vacuum pick. It needs to be removed after reflow

Material: Brass

Finish: Plated Sn over Ni base

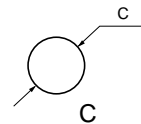
Tap: M3 P=0.5, M2.6 P=0.45, M2 P=0.4

PAT



N/O	A	B	L	M	Package
3SSB-2.5	4.0	5.0	2.5	M3	500pcs/reel
3SSB-3.0	4.0	5.0	3.0	M3	500pcs/reel
3SSB-3.5	4.0	5.0	3.5	M3	400pcs/reel
3SSB-4.0	4.0	5.0	4.0	M3	400pcs/reel
3SSB-4.5	4.0	5.0	4.5	M3	350pcs/reel
3SSB-5.0	4.0	5.0	5.0	M3	350pcs/reel
2.6SSB-2.5	3.5	4.5	2.5	M2.6	500pcs/reel
2.6SSB-3.0	3.5	4.5	3.0	M2.6	500pcs/reel
2.6SSB-3.5	3.5	4.5	3.5	M2.6	400pcs/reel
2.6SSB-4.0	3.5	4.5	4.0	M2.6	400pcs/reel
2.6SSB-4.5	3.5	4.5	4.5	M2.6	350pcs/reel
2.6SSB-5.0	3.5	4.5	5.0	M2.6	350pcs/reel
2SSB-2.0	3.0	4.0	2.0	M2	500pcs/reel
2SSB-2.5	3.0	4.0	2.5	M2	500pcs/reel
2SSB-3.0	3.0	4.0	3.0	M2	500pcs/reel
2SSB-3.5	3.0	4.0	3.5	M2	400pcs/reel
2SSB-4.0	3.0	4.0	4.0	M2	400pcs/reel
2SSB-4.5	3.0	4.0	4.5	M2	350pcs/reel
2SSB-5.0	3.0	4.0	5.0	M2	350pcs/reel

Recommended Land Diameter

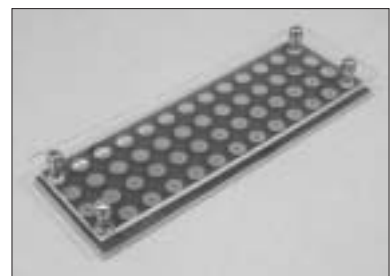
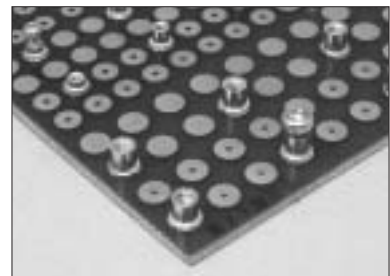


3SSB.....5.5
2.6SSB... 5.0
2SSB.....4.5

Tightening Torque

3SSB.....3.0kg.f.cm and below
2.6SSB... 3.0kg.f.cm and below
2SSB.....1.0kg.f.cm and below

Recommended Cream Solder Thickness
150 ~ 200 μ

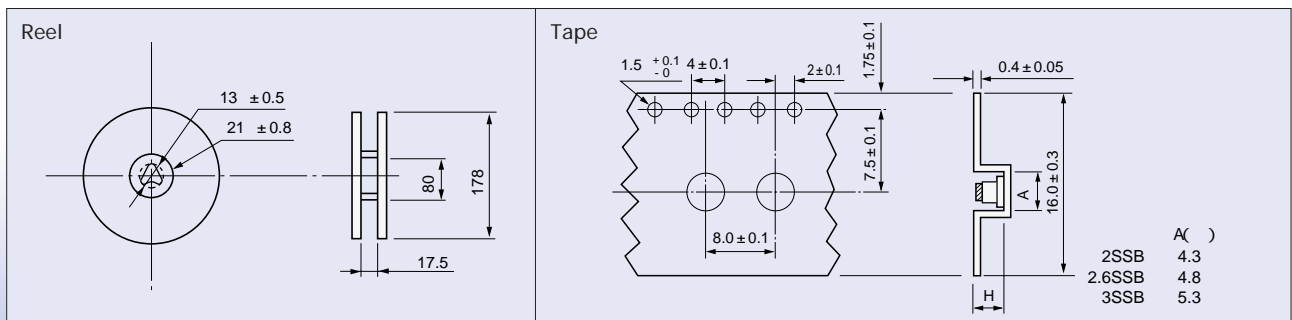


You can order bulk type (no adsorption seal)

3SSB-3.0 - B
add -B for bulk type
(100/package)

- 3SSB - 2.5 ~ 3.0
- 2.6SSB - 2.5 ~ 3.0
- 2SSB - 2.0 ~ 3.0
- 3SSB - 3.5 ~ 4.0
- 2.6SSB - 3.5 ~ 4.0
- 2SSB - 3.5 ~ 4.0
- 3SSB - 4.5 ~ 5.0
- 2.6SSB - 4.5 ~ 5.0
- 3SSB - 4.5 ~ 5.0

Dimensions



SSB series is improved version of SSA Series.



No. 1 distributor of MAC8

SHINDENKIZAI Co., LTD.

Contact
e-mail: sdk@mac8sdk.co.jp FAX: +81-3-3253-5965

http://www.mac8sdk.co.jp/index_e.html